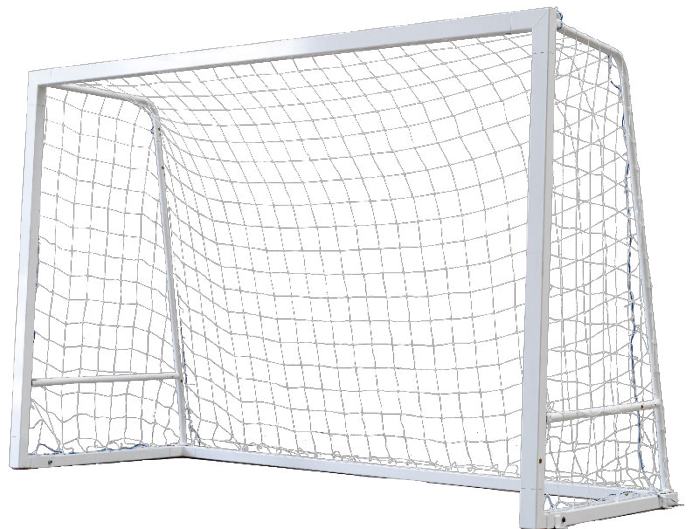


FUTSAL GOAL

ASSEMBLY INSTRUCTIONS

Inclusions (per goal):

- 1 x Accessories Carton
 - #4 x 2 Corners with black pads
 - #5 x 4 Corners with black pads
 - Goal Net
 - Packet of Net Clips
 - 2 x Black weight sleeves (weights not included)
 - Adjustable Brackets
 - Bag of Goal Fixings
- 1 x Back Support Posts Carton
 - #6 x 2 Back Support Posts
- 1 x Posts Carton
 - #2 x 2 Straight Posts
 - #3 x 2 Side Posts
- 1 x Crossbar Carton
 - #1 x 2 Crossbars



GSM INTERNATIONAL PTY LTD - BSB 034 081, ACC 195908
WWW.VETOSPORTS.COM

VETO SPORTS IS
A DIVISION OF GSM
INTERNATIONAL PTY. LTD.
ACN 082 588 583
ABN 74 082 588 583

P.O. Box 405
ACACIA RIDGE Qld. 4110
Phone: (07) 3345 8006
Fax: (07) 3345 8009
josh@vetosports.com

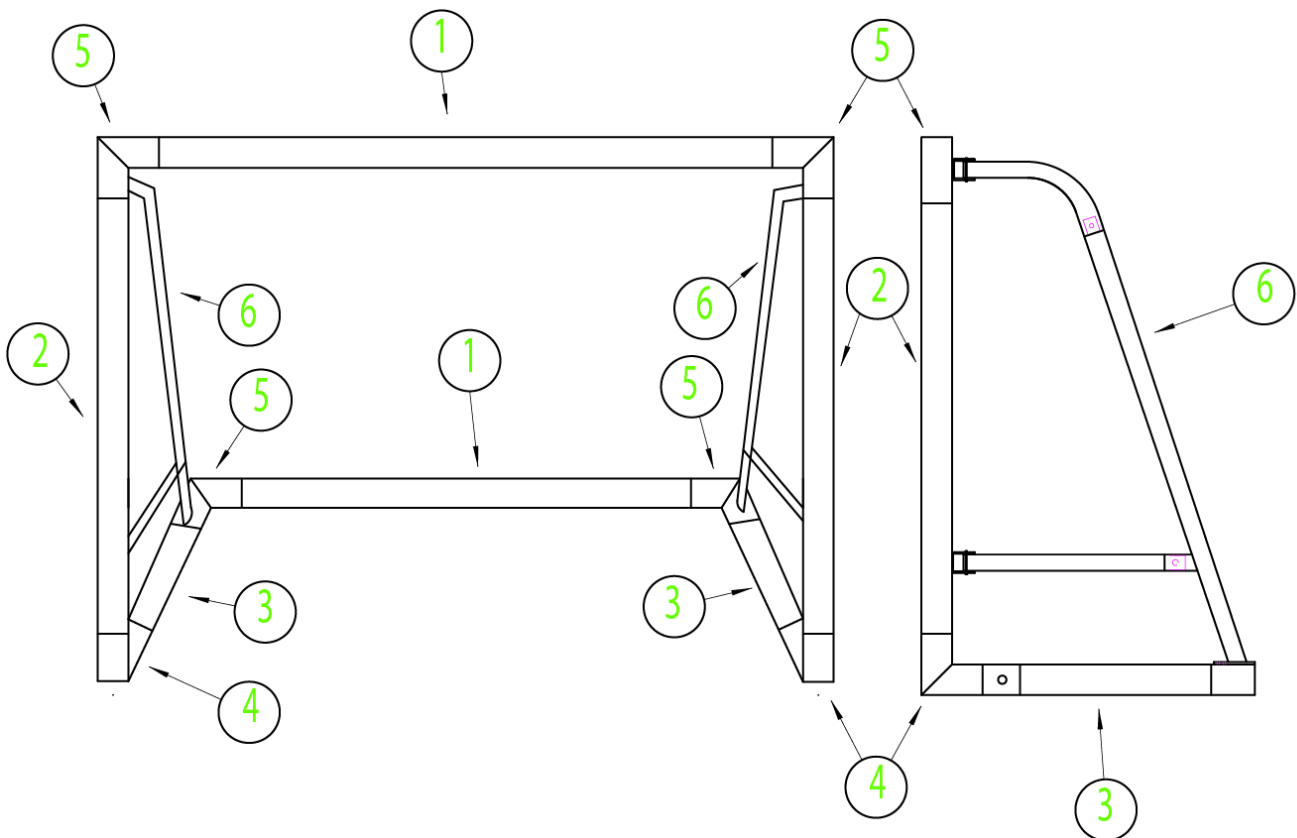
HEAD OFFICE
UNIT 5, 47 LEAROYD RD
ACACIA RIDGE Qld. 4110
Phone: (07) 3345 8006
Fax: (07) 3345 8009

Step 1

- Unpack all parts, ensuring all items from the inclusions list has been provided. If anything is missing – please call us 07 3345 8006.
- Remove and discard all packaging.
- A drill with Allen key bit can be used in place of Allen key however is not supplied with any goal.

Step 2

- Follow the below image to identify the location of the numbered parts and begin assembling.



Step 3

- Connect the crossbars and uprights per the below images.



Step 4

- Connect the side ground pieces and back support posts per the below images.





Step 5

- Add the back support posts per the below image with the adjustable brackets.



GSM INTERNATIONAL PTY LTD - BSB 034 081, ACC 195908
WWW.VETOSPORTS.COM

VETO SPORTS IS
A DIVISION OF GSM
INTERNATIONAL PTY LTD.
ACN 082 588 583
ABN 74 082 588 583

P.O. Box 405
ACACIA RIDGE Qld. 4110
Phone: 1071 3345 8006
Fax: 1071 3345 8009
josh@vetosports.com

HEAD OFFICE
UNIT 5, 47 LEAROYD RD
ACACIA RIDGE Qld. 4110
Phone: 1071 3345 8006
Fax: 1071 3345 8009

#ALWAYSVETO



Step 6

- Attach supplied net using the supplied net clips.

Step 7

- Once in place, fill the weighted sleeves and place over bottom crossbar at the back of the goal to secure into place.
- Hinge the back arms into the side posts and fold up the base posts for storage as seen below.



Final Product Images:

Standard



Folded



GSM INTERNATIONAL PTY LTD - BSB 034 081, ACC 195908
WWW.VETOSPORTS.COM

VETO SPORTS IS
A DIVISION OF GSM
INTERNATIONAL PTY LTD.
ACN 082 588 583
ABN 74 082 588 583

P.O. Box 405
ACACIA RIDGE Qld. 4110
Phone: 1071 3345 8006
Fax: 1071 3345 8009
josh@vetosports.com

HEAD OFFICE
UNIT 5, 47 LEAROYD RD
ACACIA RIDGE Qld. 4110
Phone: 1071 3345 8006
Fax: 1071 3345 8009

#ALWAYSVETO



CUSTOM FOOTBALL KITS BY VETO SPORTS

Veto Sports offers a wide variety of features and variants when it comes to creating a brand new custom sublimated football kit. All of Veto Sports football kits use lightweight, breathable fabrics for both the jerseys and shorts, allowing players to move freely and comfortably. Below are some of the features and customisations which are available on our custom sublimated football kits.



CUSTOM SUBLIMATED FOOTBALL JERSEYS

FABRIC VLUX.DRY, INTR.LCK, BROSI.MSH, BDGR, VLUX.FUSE, VLUX.AIR
KIDS SIZES 4, 6, 8, 10, 12, 14
MENS SIZES S, M, L, XL, 2XL, 3XL - 7XL
WOMENS SIZES 4, 6, 8, 10, 12, 14, 16, 18, 20

- FEATURES**
- ✓ NAMES & NUMBERS
 - ✓ CLUB NAME / LOGO
 - ✓ SPONSORS
 - ✓ CUSTOM TRIMS
 - ✓ NECKLINE VARIANTS
 - ✓ BESPOKE DESIGNS
 - ✓ LIGHTWEIGHT
 - ✓ BREATHABLE
 - ✓ CUSTOM COLOURS
 - ✓ MENS & WOMENS CUTS

CUSTOM SUBLIMATED FOOTBALL SHORTS

FABRIC INTR.LCK
KIDS SIZES 4, 6, 8, 10, 12, 14
MENS SIZES S, M, L, XL, 2XL, 3XL - 7XL
WOMENS SIZES 4, 6, 8, 10, 12, 14, 16, 18, 20, 22, 24

- FEATURES**
- ✓ NUMBERS
 - ✓ CLUB NAME / LOGO
 - ✓ SPONSORS
 - ✓ CUSTOM TRIMS
 - ✓ ELASTIC WAISTBAND
 - ✓ LIGHTWEIGHT
 - ✓ BREATHABLE
 - ✓ CUSTOM COLOURS
 - ✓ MENS & WOMENS CUTS
 - ✓ INTERNAL DRAWSTRING



GET IN TOUCH FOR A FREE CUSTOM DESIGN & QUOTE
ADMIN@VETOSPORTS.COM

GSM INTERNATIONAL PTY LTD - BSB 034 081, ACC 195908
 WWW.VETOSPORTS.COM

VETO SPORTS IS
 A DIVISION OF GSM
 INTERNATIONAL PTY LTD.
 ACN 082 588 583
 ABN 74 082 588 583

P.O. Box 405
 ACACIA RIDGE Qld. 4110
 Phone: 1071 3345 8006
 Fax: 1071 3345 8009
 josh@vetosports.com

HEAD OFFICE
 UNIT 5, 47 LEAROYD RD
 ACACIA RIDGE Qld. 4110
 Phone: 1071 3345 8006
 Fax: 1071 3345 8009

#ALWAYSVETO